

EFL302X4

Li-Ion Counterbalance Forklift 3000kg with manual-swap battery packs



- Powered by innovative lightweight manual-swap, modular lithium battery packs
- Manual-swap battery packs enable operations where charging possibilities are limited
- Portable battery design creates opportunities for rental business
- Modular battery pack design allows adding modules for maximum endurance flexibility
- Advanced power system integrates lithium, smart BMS, and PMS motor
- Optional charging station streamlines management of multiple battery packs
- Robust and water-proof design adapts to diverse environments
- Wide mast and spacious cabin improve operator comfort and safety



Manufacturer				EP
Model designation				EFL302X4
Drive				Electric
Load capacity	Q	kg		3000
Load center distance	c	mm		500
Service weight		kg		4600
Retracted mast height	h1	mm		2265
Lift height	h3	mm		3000
Height, mast extended	h4	mm		4096
Length to face of forks	l2	mm		2665
Overall width	b1/b2	mm		1228
Fork dimensions	s/e/l	mm		45/122/1070
Turning radius	Wa	mm		2428
Travel speed, laden/unladen		km/h		11/12
Lifting speed, laden/unladen		m/s		0.29/0.36
Lowering speed, laden/unladen		m/s		0.4/0.4
Max. gradeability, laden/unladen		%		15/15
Drive motor rating S2 60 min		kW		8
Battery voltage/nominal capacity		V/Ah		80V/100Ah

■ **Inno va tive Lightwe ight, Ma nua l-swa p Ba tte rie s**

The EFL302X4 introduces a revolutionary approach to battery management with its lightweight, manual-swap battery packs. Each 26 kg battery modules can be easily handled by operators without specialized equipment, enhancing operational flexibility. The specially designed side door provides a quick access to the battery compartment, streamlining the swapping process and minimizing downtime. The standard compact battery pack also provides convenience for maintenance and repair thanks to easy handle and few spare parts needed.



■ **Re mo te ba tte ry c ha rgi ng**

X4 is the perfect truck on off-grid applications like agriculture or construction sites. As the batteries can be removed transported and charged elsewhere while the truck remains on remote job site. This feature allow safety increase as truck cannot easily be moved and stolen.



■ **Op tio na l Mu lti-Ba tte ry C ha rgi ng Sta tio n**

Complementing the EFL302X4's innovative battery system is an optional charging station designed specifically for this model and it's a plug-and-play solution. This compact modular charging station can charge the batteries outside of the forklift and can accommodate charge up to six batteries simultaneously. Thanks to this charging helper, there is no constraints or limitation even in the environments without charging facilities or with high safety requirements. This feature enhances the efficiency and safety of battery management and ensures a constant supply of ready-to-use power packs.

Additionally, its ergonomic design allows for optimal operating height, enabling easy handling of batteries during the charging process.



PLUG-AND-PLAY SOLUTION:
MODULAR BATTERY PACKS CHARGING STATION

■ Extend Runtime and Future Flexibility to the Maximum

The EFL302X4's innovative battery system, featuring six swappable packs divided into two sets of three, enables extended work cycles with minimal downtime. When power runs low, three batteries can be easily removed for charging while the forklift continues to operate on the remaining three, ensuring maximum uptime and productivity in demanding environments.

The EFL302X4's battery system can also grow with customers' business. While the standard configuration includes a set of three battery packs, the option to expand to six packs or more unlocks the forklift's full operational potential. This scalability ensures that the EFL302X4 can meet growing demands and maximize capabilities as needed.



■ Profitability with Flexible Business Models

With the lightweight battery packs and the optional charging station, the EFL302X4 opens up new possibilities in forklift operations and ownership. The portability of these batteries creates a unique opportunity to treat batteries as a mobile, rentable commodity. For example, a battery rental service could be established, where fully charged packs are distributed to multiple sites or customers as needed. Businesses can now consider options like pay-per-use or subscription-based services, potentially reducing upfront costs and offering more flexible power solutions tailored to varying operational demands.



■ Advanced Power System: Lithium Technology, Smart Management, and PMS Motor

The EFL302X4 integrates advanced power technologies for reliable performance and efficiency. Standard 80V/100Ah lithium battery (one set of three packs) features high energy density and extended cycle life, which is complemented by a smart Battery Management System (BMS) that optimizes battery performance and longevity. Powering the forklift is a Permanent Magnet Synchronous (PMS) motor, known for its high energy conversion efficiency.

This trio of technologies enables the EFL302X4 to operate efficiently, featuring reduced charging times, lower maintenance needs, and significantly reduced energy consumption.



■ Improved components for easy, safe and comfortable operation

The EFL302X4 series is equipped with improved components such as the new mast with high visibility, the new seat with armrest, the new LED front lights, the wider brake pedal and the large LED display.

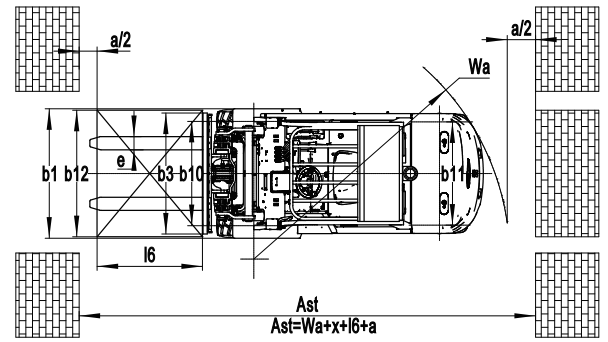
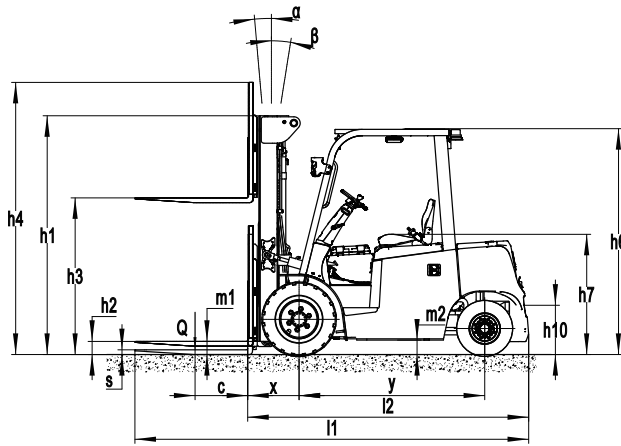


Li-ion Counterbalance Forklift 300kg

EFL302X4

Distinguishing mark	1.1	Manufacturer			EP
	1.2	Model designation			EFL302X4
	1.3	Drive			Electric
	1.4	Operator type			Seated
	1.5	Load capacity	Q	kg	3000
	1.6	Load center distance	c	mm	500
	1.8	Load distance, centre of drive axle to fork	x	mm	486
	1.9	Wheelbase	y	mm	1760
	Service weight	2.1	Service weight		kg
2.2		Axle loading, laden front/rear		kg	6537/817
2.3		Axle loading, unladen front/rear		kg	1854/2696
Tyres/chassis	3.1	Tyre type			Pneumatic
	3.2	Tyre size, front			28X9-15-14PR
	3.3	Tyre size, rear			6.5F-10-10PR
	3.5	Wheels, number front/rear (x=drive wheels)		mm	2X/2
	3.6	Tread width, front	b10	mm	989
	3.7	Tread width, rear	b11	mm	980
Dimensions	4.1	Tilt of mast/fork carriage forward/backward	α/β	°	6/10
	4.2	Retracted mast height	h1	mm	2265
	4.3	Free lift	h2	mm	135
	4.4	Lift height	h3	mm	3000
	4.5	Height, mast extended	h4	mm	4096
	4.7	Height of overhead guard (cabin)	h6	mm	2143
	4.8	Seat height/standing height	h7	mm	1141
	4.12	Tow coupling height	h10	mm	468
	4.19	Overall length	l1	mm	3735
	4.20	Length to face of forks	l2	mm	2665
	4.21	Overall width	b1/b2	mm	1228
	4.22	Fork dimensions	s/e/l	mm	45×122×1070
	4.23	A,B Fork carriage class/type A, B			3A
	4.24	Fork carriage width	b3	mm	1100
	4.31	Ground clearance, laden, below mast	m1	mm	125
	4.32	Ground clearance, center of wheelbase	m2	mm	137
4.34.1	Aisle width for pallets 1000×1200 crossways	Ast	mm	4115	
4.34.2	Aisle width for pallets 800×1200 lengthways	Ast	mm	4315	
4.35	Turning radius	Wa	mm	2428	
Performance data	5.1	Travel speed, laden/unladen		km/h	11/12
	5.2	Lifting speed, laden/unladen		m/s	0.29/0.36
	5.3	Lowering speed, laden/unladen		m/s	0.4/0.4
	5.8	Max. gradeability, laden/unladen		%	15/15
	5.10	Service brake			Hydraulic
	5.11	Parking brake			Mechanical
Electric-engine	6.1	Drive motor rating S2 60 min		kW	8
	6.2	Lift motor rating at S3 15%		kW	16
	6.4	Battery voltage/nominal capacity		V/Ah	80V/100Ah
	6.5	Battery weight		kg	220
Addition data	8.1	Type of drive control			PMSM
	10.5	Steering design			Hydraulic
	10.7	Sound pressure level at the driver's ear		dB(A)	60

If there are improvements of technical parameters or configurations, no further notice will be given.
The diagram shown may contain non-standard configurations.



Mast Option

Mast types	Lift height (h3)	Height, Mast			Height, Free lift(h2)	
		Height, mast lowered(h1)	Height, mast extended(h4)		No shelving	With shelving
			No shelving	With shelving		
	mm	mm	mm	mm	Deg	Deg
2-Standard Mast	2700	1910	3330	3795	120	120
	3000	2060	3630	4095	120	120
	3300	2210	3930	4395	120	120
	3500	2310	4130	4595	120	120
2-Free Mast	3600	2360	4230	4695	120	120
	4000	2610	4630	5095	120	120
	4300	2760	4930	5395	120	120
	4500	2860	5130	5595	120	120
	3000	2040	3630	4095	1410	945
	3300	2190	3930	4395	1560	1095
	3600	2340	4230	4695	1710	1245
3-Free Mast	4300	2040	4930	5395	1410	945
	4500	2120	5130	5595	1490	1025
	4800	2225	5430	5895	1595	1130
	5000	2310	5630	6095	1680	1215
	5500	2560	6130	6595	1930	1465
	6000	2810	6630	7095	2180	1715

Option

Optional items	EFL302X4
Fork dimension	<input type="radio"/> 122*40*920 <input checked="" type="radio"/> 122*40*1070 <input type="radio"/> 122*40*1150 <input type="radio"/> 122*40*1220 <input type="radio"/> 122*40*1370 <input type="radio"/> 122*40*1500 <input type="radio"/> 122*40*1600 <input type="radio"/> 122*40*1700 <input type="radio"/> 122*40*1820 <input type="radio"/> 122*40*1900 <input type="radio"/> 122*40*2000 <input type="radio"/> 122*40*2200
Front wheel material	<input type="radio"/> Pneumatic <input type="radio"/> Solid <input type="radio"/> Non-marking
Rear wheel material	<input type="radio"/> Pneumatic <input type="radio"/> Solid <input type="radio"/> Non-marking
Battery capacity	<input type="radio"/> 80V100AH <input type="radio"/> 80V200AH
Charger	<input type="radio"/> 80V65A (for 100AH battery) <input type="radio"/> 80V100A (for 200AH battery)
Charging station	<input type="radio"/> Charging station (6 charging slots, 24V/50A each)
Battery indicator	<input checked="" type="radio"/> With hourmeter (Bluetooth) without PSE
Seat type	<input type="radio"/> Comfortable with safety belt switch <input type="radio"/> Seat with armrest with safety belt switch
Attachments	<input type="radio"/> Built-in sideshifter <input type="radio"/> External shifter <input type="radio"/> Fork positioner with sideshift
Traction pin	<input checked="" type="radio"/> Yes and not customized
Anti-static chain	<input checked="" type="radio"/> Yes and not customized
Front lamp	<input checked="" type="radio"/> LED
Rear lamp	<input checked="" type="radio"/> No <input type="radio"/> LED
Warning lamp	<input checked="" type="radio"/> Yes and not customized
Turn signal light	<input checked="" type="radio"/> LED
Blue lamp	<input checked="" type="radio"/> No <input type="radio"/> Rear <input type="radio"/> Front and rear
Area warning lamp	<input checked="" type="radio"/> No <input type="radio"/> Both sides <input type="radio"/> Both sides and rear
Rearview mirror	<input checked="" type="radio"/> One in front <input type="radio"/> Two on sides and one in front
Buzzer	<input checked="" type="radio"/> Yes and not customized
OPS system	<input checked="" type="radio"/> Yes and not customized
USB interface	<input checked="" type="radio"/> Yes and not customized
Telematics	<input checked="" type="radio"/> Yes and not customized <input type="radio"/> No
Turn speed control	<input checked="" type="radio"/> No
Heating system for lithium battery charging	<input checked="" type="radio"/> No <input type="radio"/> Yes and not customized
Operator identification device	<input checked="" type="radio"/> No <input type="radio"/> Card reader device
Hydraulic control	<input checked="" type="radio"/> Mechanical lever
Rear armrest horn	<input checked="" type="radio"/> No <input type="radio"/> Yes and not customized
Cabin	<input checked="" type="radio"/> No
Overhead guard	<input checked="" type="radio"/> No <input type="radio"/> With tempered glass
Note:	<input checked="" type="radio"/> Standard <input type="radio"/> Optional - Inconformity