

# EFL252X3

## 2500kg Li-ion Counterbalance Forklift



- High ground clearance and big tyres to operate on uneven surfaces
- PMSM technology for better efficiency and performance
- Removable Li-ion battery fitting multi-shift operation better
- All-rounder both for indoor and outdoor usage
- Ergonomic zone for fatigue-free work
- 80V Li-Ion battery grant efficiency, good autonomy and opportunity charging
- Single phase integrated charger with 16A plug



Manufacturer			EP
Model designation			EFL252X3
Drive			Electric
Load capacity	Q	kg	2500
Load center distance	c	mm	500
Service weight		kg	4255
Retracted mast height	h1	mm	2070
Lift height	h3	mm	3000
Height, mast extended	h4	mm	4175
Length to face of forks	l2	mm	2541
Overall width	b1/b2	mm	1154
Fork dimensions	s/e/l	mm	50×122×1070
Turning radius	Wa	mm	2250
Travel speed, laden/unladen		km/h	11/12
Lifting speed, laden/unladen		m/s	0.28/0.36
Lowering speed, laden/unladen		m/s	0.4/0.43
Max. gradeability, laden/unladen		%	15/15
Drive motor rating S2 60 min		kW	8
Battery voltage/nominal capacity		V/Ah	80V/150AH

## FEATURE

### ■ PMSM technology for better efficiency and performance

The EFL252X3 adopts permanent magnet synchronous motor (PMSM) technology to deliver longer battery life. This efficiency optimization motor brings better energy savings and maximizes the battery uptime at optimal working scenarios by 10% comparing to regular motors.



PMSM



Longer  
uptime



Energy  
saving



### ■ Removable Li-ion battery offering convenience for daily usage

The EFL252X3 is designed around the advantages of lithium technology, equipped with removable 80V/150Ah Li-ion battery as standard and bigger battery up to 80V/280Ah as option. It allows for not only opportunity charging and zero maintenance, but also being laterally pulled and replaced easily, which makes it a helper for rugged environments that lack of charging facilities.



■ All-rounder for both indoor and outdoor usage

The compact EFL252X3 features a small turning radius 2250mm, and its agility ensures handling capacities in tight spaces and narrow aisles. Besides, the EFL252X3 is water-protected and can be operated outdoors, even in the rain.



■ Ergonomic zone for fatigue-free work

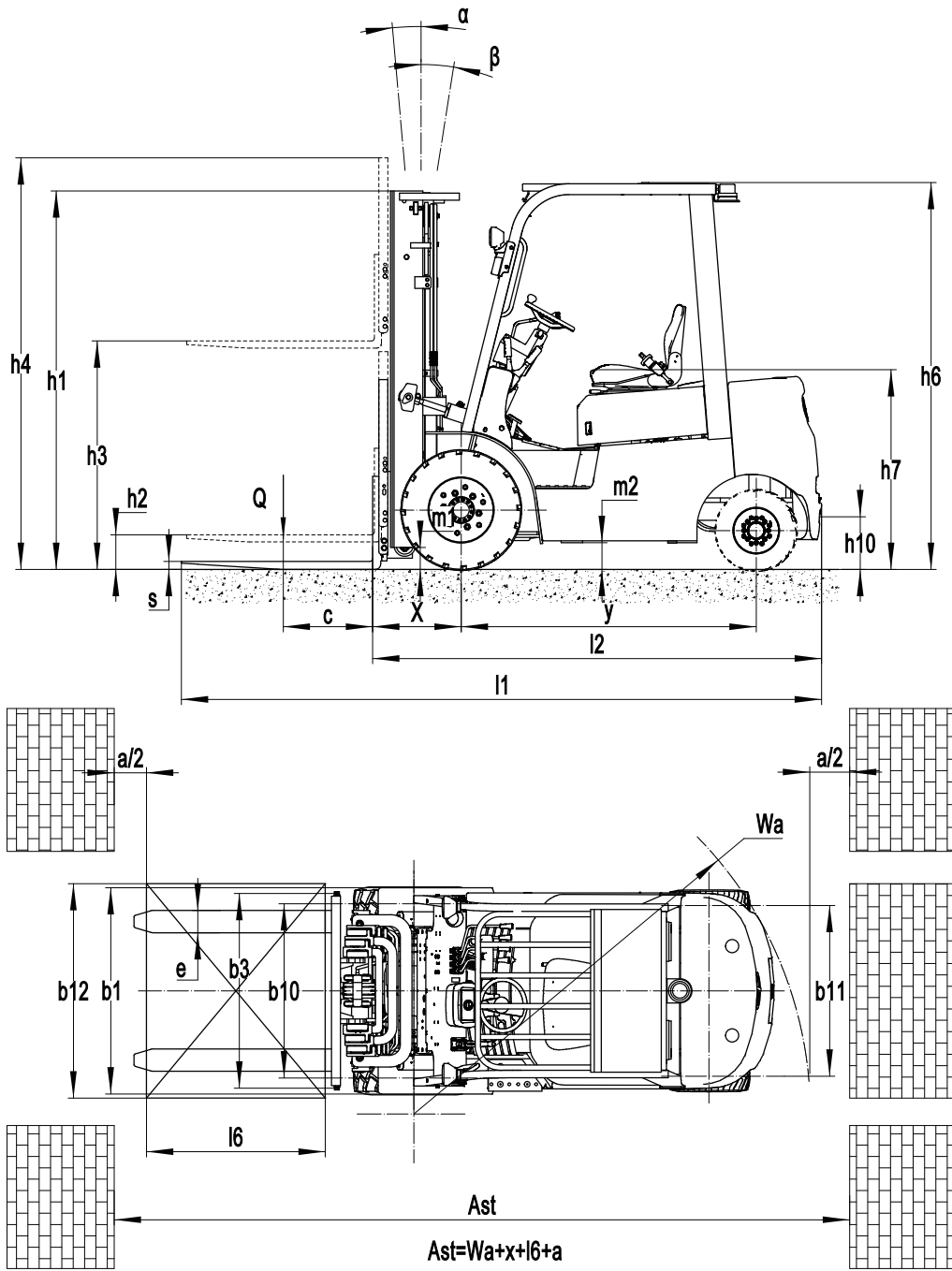
The EFL252X3 comes offers a spacious workspace, with a simplified panel, an adjustable steering wheel and a comfortable pedal. All are designed in line with ergonomic considerations for operation comfort.



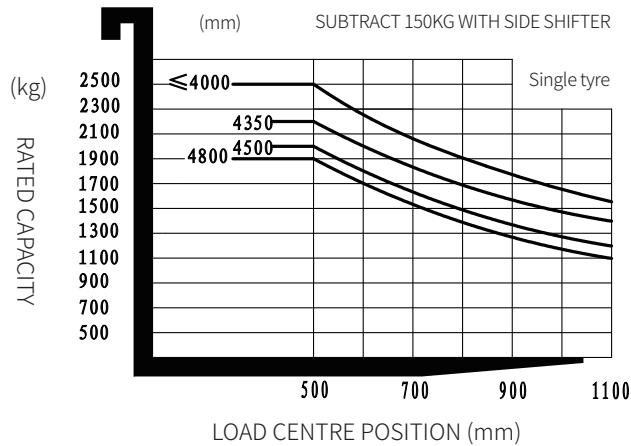
## 2.5ton Li-ion Counterbalance Forklift Truck EFL252X3

Distinguishing mark	1.1	Manufacturer			EP
	1.2	Model designation			EFL252X3
	1.3	Drive			Electric
	1.4	Operator type			Seated
	1.5	Load capacity	Q	kg	2500
	1.6	Load center distance	c	mm	500
	1.8	Load distance, centre of drive axle to fork	x	mm	486
	1.9	Wheelbase	y	mm	1650
	Service weight	2.1	Service weight		kg
2.2		Axle loading, laden front/rear		kg	6925/530
2.3		Axle loading, unladen front/rear		kg	1805/2450
Tyres/chassis	3.1	Tyre type			Solid rubber
	3.2	Tyre size, front			7.00-12
	3.3	Tyre size, rear			18X7-8
	3.5	Wheels, number front/rear (x=drive wheels)		mm	2x/ 2
	3.6	Tread width, front	b <sub>10</sub>	mm	975
	3.7	Tread width, rear	b <sub>11</sub>	mm	955
	Dimensions	4.1	Tilt of mast/fork carriage forward/backward	$\alpha/\beta$	°
4.2		Retracted mast height	h <sub>1</sub>	mm	2070
4.3		Free lift	h <sub>2</sub>	mm	135
4.4		Lift height	h <sub>3</sub>	mm	3000
4.5		Height, mast extended	h <sub>4</sub>	mm	4095
4.7		Height of overhead guard (cabin)	h <sub>6</sub>	mm	2170
4.8		Seat height/standing height	h <sub>7</sub>	mm	1110
4.12		Tow coupling height	h <sub>10</sub>	mm	295
4.19		Overall length	l <sub>1</sub>	mm	3611
4.20		Length to face of forks	l <sub>2</sub>	mm	2541
4.21		Overall width	b <sub>1</sub> /b <sub>2</sub>	mm	1154
4.22		Fork dimensions	s×e×l	mm	50×122×1070
4.23		A,B Fork carriage class/type A, B			3A
4.24		Fork carriage width	b <sub>3</sub>	mm	1040
4.31		Ground clearance, laden, below mast	m <sub>1</sub>	mm	120
4.32		Ground clearance, center of wheelbase	m <sub>2</sub>	mm	150
4.34.1		Aisle width for pallets 1000×1200 crossways	Ast	mm	3946
4.34.2	Aisle width for pallets 800×1200 lengthways	Ast	mm	4146	
4.35	Turning radius	Wa	mm	2250	
Performance data	5.1	Travel speed, laden/unladen		km/h	11/12
	5.2	Lifting speed, laden/unladen		m/s	0.28/0.36
	5.3	Lowering speed, laden/unladen		m/s	0.4/0.43
	5.5	Drawbar pull, laden/unladen		N	—
	5.6	Max. drawbar pull, laden/unladen		N	—
	5.8	Max. gradeability, laden/unladen		%	15/15
	5.10	Service brake			Hydraulic
	5.11	Parking brake			Mechanical
Electric-engine	6.1	Drive motor rating S2 60 min		kW	8
	6.2	Lift motor rating at S3 15%		kW	16
	6.4	Battery voltage/nominal capacity		V/Ah	80V/150AH
	6.5	Battery weight		kg	—
Additional data	10.5	Steering design			Hydraulic
	10.7	Sound pressure level at the driver's ear		dB(A)	< 74

If there are improvements of technical parameters or configurations, no further notice will be given.  
The diagram shown may contain non-standard configurations.



**RATED CAPACITIES AND LOAD CENTERS GRAPH**



## Mast Option

Mast types	Lift height (h3)	Height, Mast			Height, Free lift(h2)	
		Height, mast lowered(h1)	Height, mast extended(h4)		No shelving	With shelving
	No shelving		With shelving	mm		
2-Standard Mast	3000	2090	3565	4025	120	120
	3300	2240	3865	4325	120	120
3-Free Mast	4500	2115	5065	5525	1550	1090
	4800	2220	5365	5825	1655	1195

## Option

Optional items	EFL252X3
Fork dimension	<ul style="list-style-type: none"> <li>○122*40*920 ●122*40*1070 ○122*40*1150 ○122*40*1220 ○122*40*1370</li> <li>○122*40*1500 ○122*40*1600 ○122*40*1700 ○122*40*1820 ○122*40*1900</li> <li>○122*40*2000 ○122*40*2200</li> </ul>
Fork carriage width	<ul style="list-style-type: none"> <li>●1040mm ○Yes and can be customized</li> </ul>
Backrest height	<ul style="list-style-type: none"> <li>●1025mm ○Yes and can be customized</li> </ul>
Front wheel material	<ul style="list-style-type: none"> <li>●Pneumatic ○Normal solid ○Traceless solid</li> </ul>
Rear wheel material	<ul style="list-style-type: none"> <li>●Pneumatic ○Normal solid ○Traceless solid</li> </ul>
Battery capacity	<ul style="list-style-type: none"> <li>●80V100AH ○80V150AH ○80V230AH ○80V280AH</li> </ul>
Charger	<ul style="list-style-type: none"> <li>○80V65A (External) ●80V35A(internal) ○80V60A(internal)</li> <li>○80V100A (External, only for 80V230AH battery)</li> </ul>
Battery indicator	<ul style="list-style-type: none"> <li>●With hourmeter</li> </ul>
Seat type	<ul style="list-style-type: none"> <li>○Comfortable ●Suspension</li> <li>○Suspension + safety belt logic switch</li> <li>○comfortable + safety belt logic switch</li> </ul>
Attachments	<ul style="list-style-type: none"> <li>●No ○Built-in sideshifter ○External shifter</li> </ul>
Traction pin	<ul style="list-style-type: none"> <li>●Yes and not customized</li> </ul>
Anti-static chain	<ul style="list-style-type: none"> <li>●Yes and not customized</li> </ul>
Front lamp	<ul style="list-style-type: none"> <li>●LED</li> </ul>
Rear lamp	<ul style="list-style-type: none"> <li>●No ○LED</li> </ul>
Warning lamp	<ul style="list-style-type: none"> <li>●Yes and not customized</li> </ul>
Turn signal light	<ul style="list-style-type: none"> <li>●LED</li> </ul>
Blue lamp	<ul style="list-style-type: none"> <li>●None ○The first one+ the last one ○The latter one</li> <li>○The first two + the last one</li> </ul>
Area warning lamp	<ul style="list-style-type: none"> <li>●None ○Red, one on each side</li> <li>○One on each side+ one on the back</li> </ul>
Rearview mirror	<ul style="list-style-type: none"> <li>●A rearview mirror ○Double rearview mirror</li> </ul>
Buzzer	<ul style="list-style-type: none"> <li>●Yes and not customized</li> </ul>
OPS system	<ul style="list-style-type: none"> <li>●Yes and not customized ○No</li> </ul>
USB interface	<ul style="list-style-type: none"> <li>●Yes and not customized</li> </ul>
Telematics	<ul style="list-style-type: none"> <li>●Yes and not customized ○No</li> </ul>
Fan heater	<ul style="list-style-type: none"> <li>●No ○Yes and not customized</li> </ul>
Speed reduction for elevated mast- Australian standard	<ul style="list-style-type: none"> <li>●No ○Yes and not customized</li> </ul>
Cabin	<ul style="list-style-type: none"> <li>●None ○Semi-enclosed cockpit</li> <li>○Fully enclosed cockpit with electric fan, heater, front wipers, rear wipers</li> </ul>
Proportional lift system	<ul style="list-style-type: none"> <li>●Yes and not customized</li> </ul>
Overhead guard	<ul style="list-style-type: none"> <li>●Standard overhead guard ○Yes and customizable</li> </ul>
Note:	<ul style="list-style-type: none"> <li>●Standard ○ Optional - Inconformity</li> </ul>