

TPL251

Low Level Order Picker 2500kg



- Fast acceleration and a travel speed of 14.5km/h maximizes efficiency handling
- Side buttons enable operator control for truck movement during picking
- Fork length up to 2400mm allows handling two pallets at the same time
- Electric power steering and automatic center positioning tiller for great maneuverability
- Spacious operator compartment with low level step and reduced vibration for comfortable ride
- 24V/280Ah Li-Ion battery and external charging plug grant efficient runtime



Manufacturer			EP
Model designation			TPL251
Drive			Electric
Load capacity	Q	kg	2500
Load center distance	c	mm	600
Service weight		kg	821
Length to face of forks	l2	mm	1375
Overall width	b1/b2	mm	800
Fork dimensions	s/e/l	mm	55/190/1150
Turning radius	Wa	mm	2172
Travel speed, laden/unladen		km/ h	9.5/14.5
Max. gradeability, laden/unladen		%	5/16
Battery voltage/nominal capacity		V/Ah	24/280

FEATURE

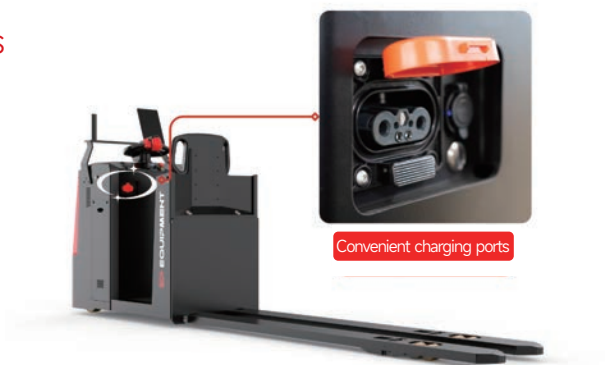
Performance and Efficiency

With a travel speed of 14.5 km/h, TPL251 ensures productive material transportation over long distances. Offering a maximum load capacity of 2.5 tons, with an optional fork length of 2400mm, TPL251 is capable of carrying two standard pallets simultaneously, reducing the number of trips required for handling tasks.



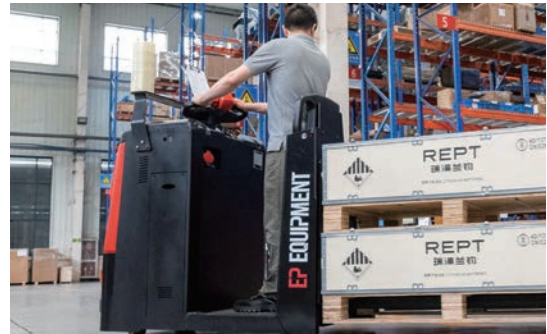
Lithium Technology for Great Effectiveness

TPL251 adopts 24V/280Ah Li-ion battery as standard and it features zero battery maintenance, extended service life, and opportunity charging during breaks through the external plug. This makes TPL251 a productive tool to pick products in multiple working shifts.



Comfortable Working Compartment for Ergonomics

TPL251 is thoughtfully designed with a suspended platform with a low entrance step which reduces vibration transfer to the operator and minimize fatigue during long working shift. The standard foam backrest further addresses ergonomic consideration offering great support while operating and the.



Easy Operation

Side buttons located on the both sides of the backrest allow forward movements of the truck, so that operator can walk along side of TPL251 to reach to the next picking spot with no need to go back to the operating platform.

Spacious storage compartment for storing personal belongings and tools with optional extension brackets available to accommodate various accessories like WMS(Warehouse Execution System) displays, packaging wrap, file holders, etc.

Furthermore, TPL251 is equipped with electric power steering and automatic center positioning for effortless driving.

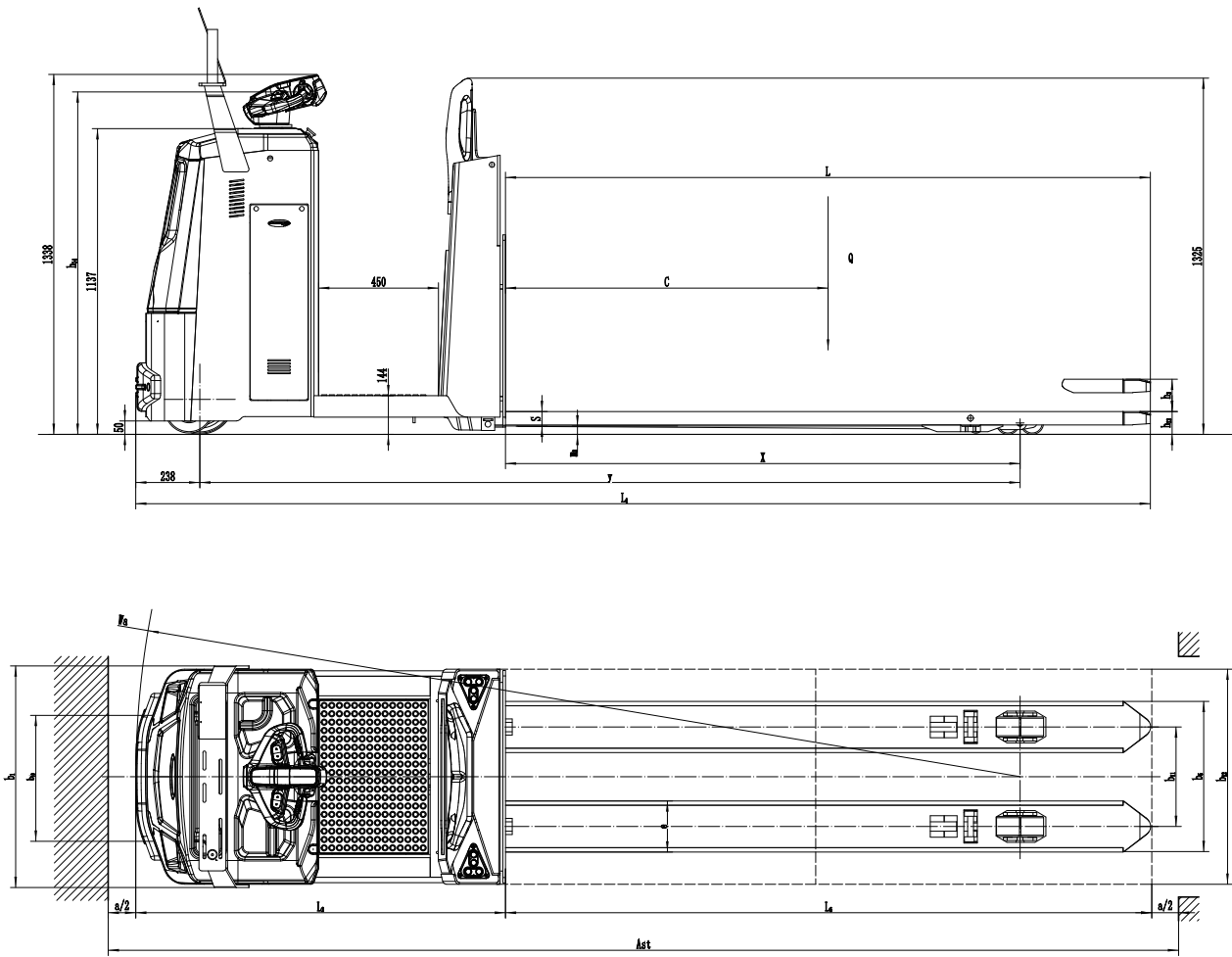


Low Level Order Picker 2500kg

TPL251

Distinguishing mark	1.1	Manufacturer			EP
	1.2	Model designation			TPL251
	1.3	Drive			Electric
	1.4	Operator type			Standing
	1.5	Load capacity	Q	kg	2500
	1.6	Load center distance	c	mm	600
	1.8	Load distance, centre of drive axle to fork	x	mm	980
	1.9	Wheelbase	y	mm	2117
	Service weight	2.1	Service weight		kg
2.2		Axle loading, laden front/rear		kg	1050/2271
2.3		Axle loading, unladen front/rear		kg	600/221
Tyres/chassis	3.1	Tyre type			Polyurethane
	3.2	Tyre size, front		mm	Φ85x70
	3.3	Tyre size, rear		mm	Φ260x105
	3.4	Additional wheels (castor wheels)		mm	Φ180x65
	3.5	Wheels, number front/rear (x=drive wheels)		mm	1x +1/4
	3.6	Tread width, front	b10	mm	465
	3.7	Tread width, rear	b11	mm	370/515
Dimensions	4.4	Lift height	h3	mm	120
	4.9	Height of tiller handle in drive position min./max.	h14	mm	1273
	4.15	Lowered height	h13	mm	85
	4.19	Overall length	l1	mm	2526
	4.20	Length to face of forks	l2	mm	1375
	4.21	Overall width	b1/b2	mm	800
	4.22	Fork dimensions	s/e/l	mm	55/190/1150
	4.25	Distance between fork-arms	b5	mm	560/685
	4.32	Ground clearance, center of wheelbase	m2	mm	30
	4.34.1	Aisle width for pallets 1000×1200 crossways	Ast	mm	3006
	4.34.2	Aisle width for pallets 800×1200 crossways	Ast	mm	2941
4.35	Turning radius	Wa	mm	2172	
Performance data	5.1	Travel speed, laden/unladen		km/ h	9.5/14.5
	5.2	Lifting speed, laden/unladen		m/s	0.032 / 0.044
	5.3	Lowering speed, laden/unladen		m/s	0.045 / 0.037
	5.8	Max. gradeability, laden/unladen		%	5/16
	5.10	Service brake			Electromagnetic
Electric-engine	6.1	Drive motor rating S2 60 min		kW	3.3
	6.2	Lift motor rating at S3 15%		kW	2.2
	6.4	Battery voltage/nominal capacity		V/Ah	24/280
	6.5	Battery weight		kg	76
	Addition data	8.1	Type of drive control		
10.5		Steering design			Electronic
10.7		Sound pressure level at the driver's ear		dB(A)	74

If there are improvements of technical parameters or configurations, no further notice will be given. The diagram shown may contain non-standard configurations.



Option

No.	Optional items	TPL251
1.1	Fork length	●1150○850/1000/1220/1300/1450/1600/1800 /2000/2200/2400
1.2	Fork width	●560/685
1.3	Fork lowered height	●85
2.1	Load wheel type	●Double
2.2	Load wheel material	●PU
2.3	Drive wheel material	●PU
2.7	Battery capacity	●280Ah (Li-Ion truck) ○410Ah (Li-Ion truck)
2.8	Charger	●24V-100A external charger○24V-50A external charger
2.9	Battery indicator	●With hourmeter (Bluetooth)
3.5	Front lamp	●Front lamp
3.19	USB interface	●USB interface

Note: ●Standard ○ Optional